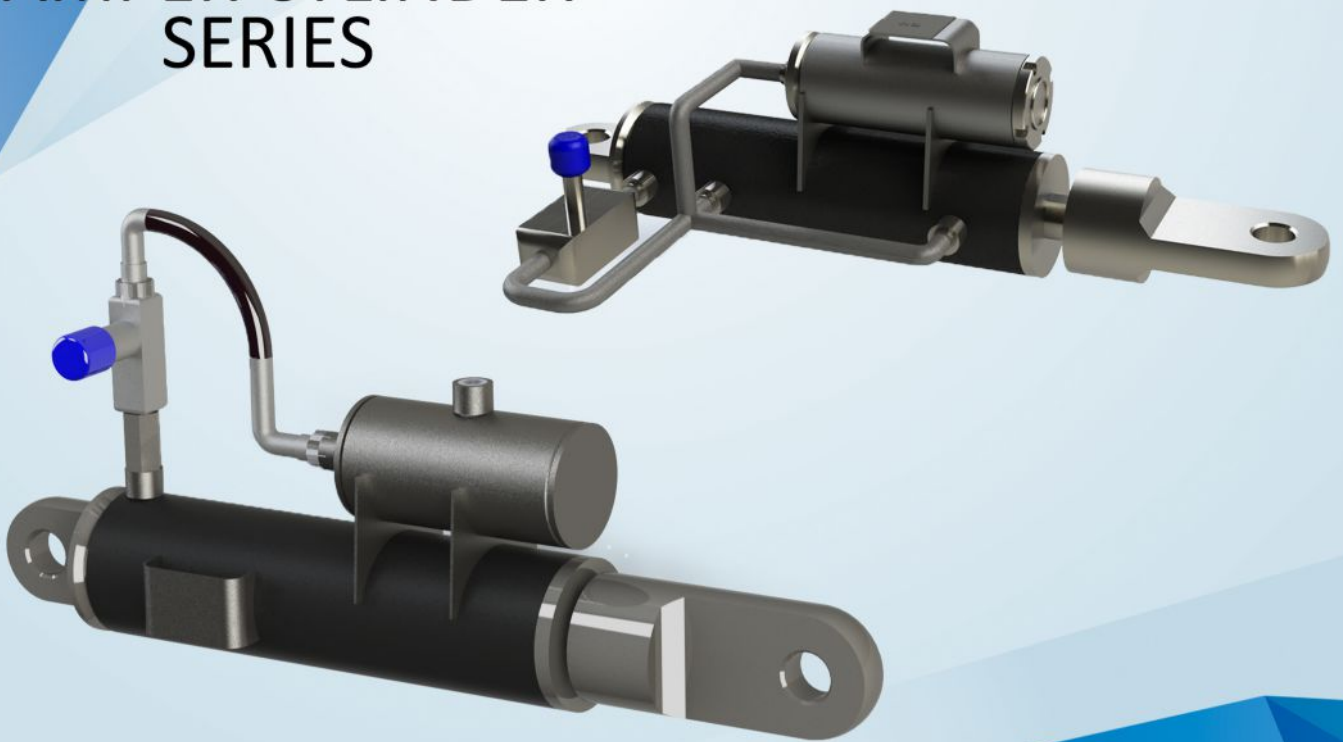


TAPCO

valve manual &
powered actuator

DAMPER CYLINDER
SERIES



*GOOD IDEAS
CREATE FUTURE*

Certificate of Registration



This is to certify that the
Quality Management Systems of:

Tavakol Poya Arak Industrial Group Co.

The corner of 1 Toseae, Toseae Street, No. 1 Industrial Zone, Arak-Iran

have been assessed and registered against the following international
standard:

ISO/TS 29001:2010

Approval is hereby granted for registration on the proviso that the
certification rules and conditions are observed at all times.

The scope of the registration:

**Design and Manufacturing of Oil and Gas Valves Gearbox and Machining
Services**

Certificate No. 1210010
Issue Date: October 02, 2012
Expiry Date: October 01, 2015



Authorised Signature

Moody International Certification Ltd.
www.moodyint.com

The certificate remains the property of Moody International Certification Limited to whom it must be returned on request.

Certificate of Registration



This is to certify that the
Quality Management System of:

Tavakol Poya Arak Industrial Group Co.

The corner of 1 Toseae, Toseae Street, No. 1 Industrial Zone, Arak-Iran

has been assessed and found compliant with the requirements of:

ISO 9001:2008

Approval is hereby granted for registration on the proviso that the
certification rules & conditions are observed at all times.

Certification Scope:

**Design and Manufacturing of Oil and Gas Valves Gearbox and Machining
Services**

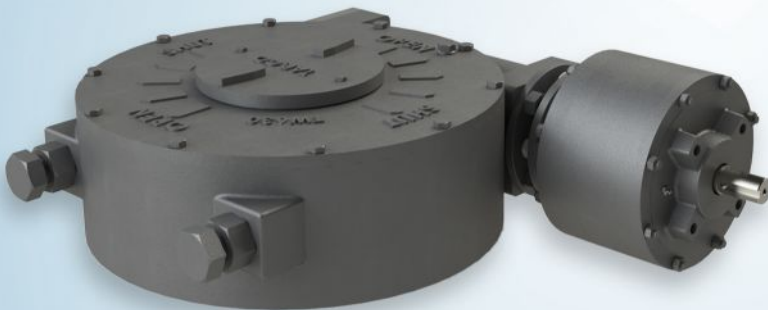
Certificate No. 10111208030
Issue Date: October 02, 2012
Expiry Date: October 01, 2015



Authorised Signature

Moody International Certification Ltd.
www.moodyint.com

The use of the Accreditation Mark indicates accreditation in respect of those activities covered by the Accreditation Certificate 014.
The certificate remains the property of Moody International Certification Limited to whom it must be returned on request.



DAMPER CYLINDER



TAPCO TAVAKOL POOYA ARAK co.

Features of TAPCO damper cylinder

- Tapco damper cylinder are designed based on the customer requisition of force and stroke.
- Hydraulic fluid is chosen based on the ambient temperature of operation.
- Damping can be provided in either stretching or retraction phase.
- Damping can be provided in either one phase or two phases in acting course in order to achieve desired time of damping.
- Adjustable damping speed.
- All welding joints are TIG welded.
- All piston rods are hard-chrome-plated.
- Rod-eye can be manufactured according to customer requisition.

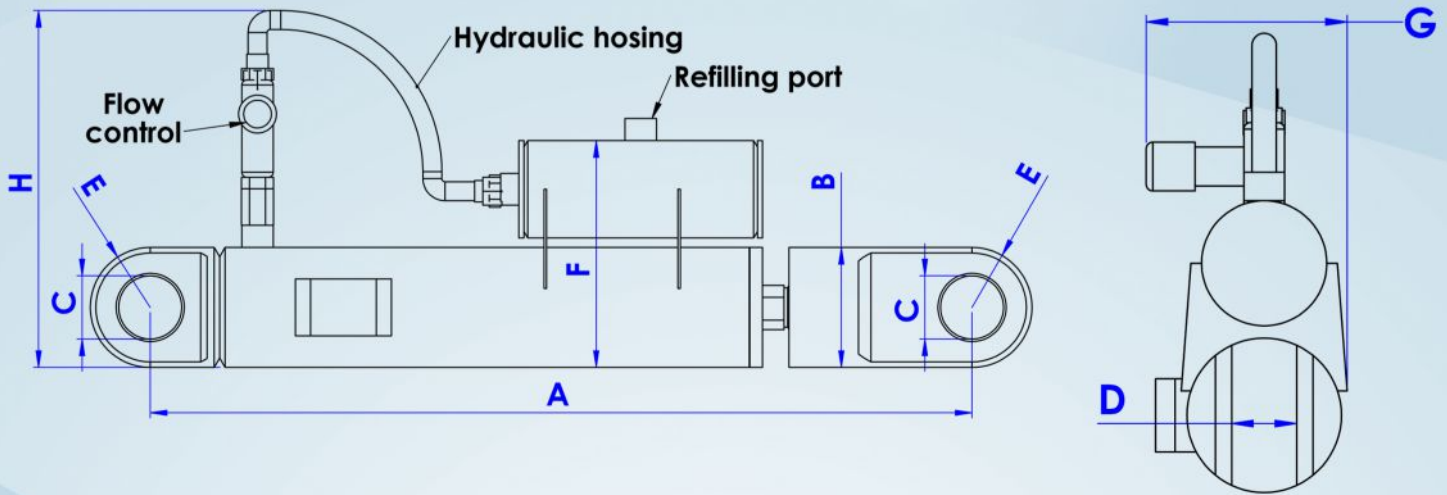


2

DAMPER CYLINDER



>> TD15 series



| MODEL | FORCE CAPACITY | A | | traveling distance | Accumulator type | num of damping phases | B | C | D | E | F | G | H |
|----------------|----------------|-----------|-----------|--------------------|--------------------|-----------------------|----|------|------|-------|-----|-----|-----|
| | | Stretched | retracted | | | | | | | | | | |
| TD15_GR_1P_210 | 15TON | 801/0 | 591/0 | 210 | Gravitational | 1 | 95 | +0.2 | -0/1 | R47.5 | 180 | 124 | 284 |
| | | | | | | | | 50 | 40 | | | | |
| | | | | | | | | +0.1 | -0/2 | | | | |
| TD15_GR_1P_265 | 15TON | 916/0 | 651/0 | 265 | Gravitational | 1 | 95 | +0.2 | -0/1 | R47.5 | 180 | 124 | 284 |
| | | | | | | | | 50 | 40 | | | | |
| | | | | | | | | +0.1 | -0/2 | | | | |
| TD15_SP_2P_210 | 15TON | 801/0 | 591/0 | 210 | Spring over piston | 2 | 95 | +0.2 | -0/1 | R47.5 | 180 | 124 | 284 |
| | | | | | | | | 50 | 40 | | | | |
| | | | | | | | | +0.1 | -0/2 | | | | |

*Tapco damper cylinder are designed based on the customer requisition of force and stroke.



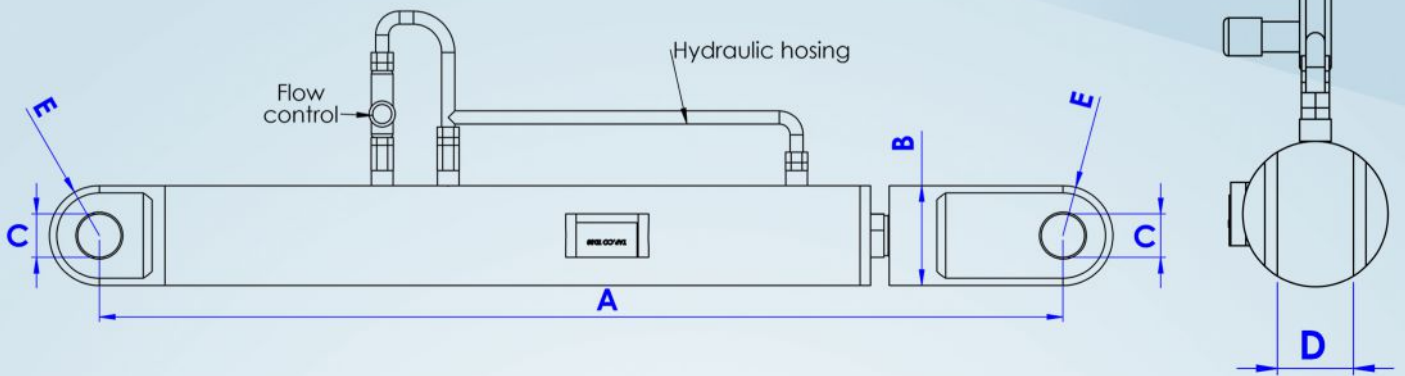
TD15_SP_2P

TD15_GR_1P

DAMPER CYLINDER



>> TD22&30 series



| MODEL | FORCE CAPACITY | A | | traveling distance | Accumalator type | num of damping phases | B | C | D | E |
|----------------|----------------|--------------------------------|--------------------------------|--------------------------------|--------------------|-----------------------|-----|------|------|-------|
| | | Stretched | retracted | | | | | | | |
| TD22_SP_2P_406 | 22TON | 1515/0 | 1109/0 | 406 | Spring over piston | 2 | 115 | +0.2 | -0/1 | R57.5 |
| | | | | | | | | 50 | -0/2 | |
| | | | | | | | | +0.1 | -0/2 | |
| TD30_SP_2P_ | 30TON | Base on the customer's request | Base on the customer's request | Base on the customer's request | Spring over piston | 2 | 145 | +0.2 | -0/1 | R72.5 |
| | | | | | | | | 60 | -0/2 | |
| | | | | | | | | +0.1 | -0/2 | |

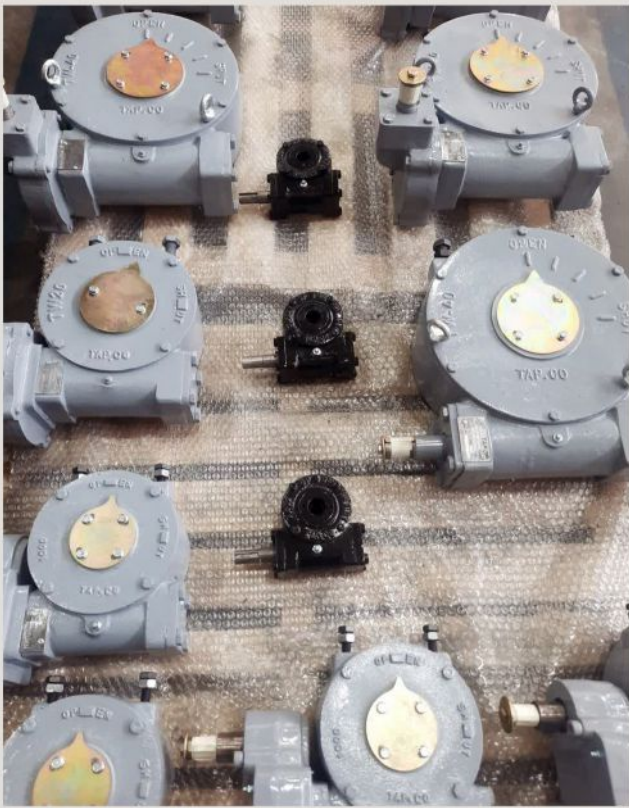
*Tapco damper cylinder are designed based on the customer requisition of force and stroke.



GALLERY











www.tapcogearbox.com



[@tapcogearbox](https://www.instagram.com/tapcogearbox)



گروه صنعتی توکل پویا اراک با نام تجاری TAPCO با رویکردی مهندسی محور و آینده‌نگر، فعالیت خود را از سال 1380 در حوزه طراحی، مهندسی و ساخت تجهیزات صنعتی آغاز نموده و امروز به پشتوانه دانش فنی، سرمایه انسانی متخصص و زیرساخت‌های تولیدی مناسب، حضوری مؤثر در پروژه‌های صنعتی کشور دارد. این مجموعه با بهره‌گیری از کادری متشکل از مدیران باتجربه، مهندسان متخصص و نیروهای فنی کارآزموده، فرآیند طراحی تا اجرای پروژه‌ها را به صورت یکپارچه و هدفمند دنبال می‌نماید. در همین راستا، ماشین‌آلات و تجهیزات تخصصی متناسب گردآوری شده است تا طرح‌ها با دقت، کیفیت بالا بدست مشتری برسند. از جمله حوزه‌های تخصصی شرکت تاپکو، می‌توان به طراحی، ساخت و توسعه تجهیزات مرتبط با خطوط انتقال سیالات اشاره نمود. در این حوزه، عملگرهای مورد استفاده در سامانه‌های شیرآلات صنعتی با تکیه بر اصول مهندسی، استانداردهای فنی و نیازهای عملیاتی پروژه‌ها طراحی و تولید می‌گردند؛ راهکارهایی قابل اعتماد برای صنایع که دقت، دوام و عملکرد پایدار را در اولویت قرار می‌دهند.



www.tapcogearbox.com



08634131577
+98 918 604 5625



info@tapcogearbox.com



@tapcogearbox



Roze Ave., Sanat Ave.,
Haji Abad industrial zone, Arak, IRAN